

HCB-7000

QHD (4MP) Analog Camera



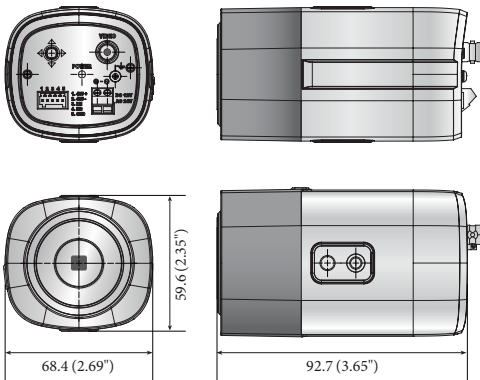
* Lens not Included

Key Features

- QHD (2560 x 1440, 30fps) resolution
- 0.16 Lux@F1.2 (Color), 0.009 Lux@F1.2 (B/W)
- Day & Night (ICR), DWDR, Motion detection
- Transmission distance Max. 500m
- Easy installation (Plug & play), Dual power

Dimensions

Unit : mm (inch)



Accessories (Optional)



SHB-4300H/4300H1/4300H2

SHB-4200/4200H

STH-200

STB-4150V

HCB-7000N/P

VIDEO	
Imaging Device	1/3" 4M CMOS
Total Pixels	2,720(H) x 1,536(V)
Effective Pixels	2,688(H) x 1,520(V)
Scanning System	Progressive Scan
Min. Illumination	Color : 0.16 Lux (F1.2) B/W : 0.009 Lux (F1.2)
S / N Ratio	52dB (AGC off, Weight on)
Video Output	BNC (AHD), Additional CVBS for installation
Resolution	2560 x 1440
Max. Framerate	30fps@4M 25fps@4M

LENS TYPE	
Focus Control	Manual
Lens Type	Manual / DC auto Iris
Mount Type	C / CS

OPERATIONAL	
On Screen Display	Multi-language Support (14) English, Spanish, French, Portuguese, German, Italian, Russian, Polish, Czech, Romanian, Serbian, Swedish, Danish, Turkish
Day & Night	Auto (ICR) / External / Color / B/W
Backlight Compensation	Off / User BLC / HLC
Wide Dynamic Range	D-WDR (Off / On)
Digital Noise Reduction	2D DNR
Motion detection	Off / On (4 zones)
Privacy Masking	Off / On (2 zones rectangle)
Gain Control	Off / Low / Middle / High / Very High
White Balance	ATW / Outdoor / Indoor / Manual / AWC (1,800K ~ 10,500K)
Electronic Shutter Speed	1/30sec ~ 1/12,000sec 1/25sec ~ 1/12,000sec
Reverse	Off / H-Rev / V-Rev
Alarm	(MD) Output 1
Remote Control Interface	Coaxial
Protocol	AHD : ACP (AHD Coax Protocol), CVBS : Pelco-C (Coaxitron) RS-485 : Samsung T, Pelco D/P
Video Transmission Distance	500m (5C2V Coaxial cable)

ENVIRONMENTAL	
Operating Temperature / Humidity	-10°C ~ +55°C (+14°F ~ +131°F) / Less than 90% RH

ELECTRICAL	
Input Voltage	Dual (24V AC ±10% & 12V DC ±10%)
Power Consumption	MAX. 3.6W

MECHANICAL	
Color / Material	Black / Aluminum, Ivory / Plastic
Dimensions (WxHxD)	68.4 x 59.6 x 92.7mm (2.69" x 2.35" x 3.65")
Weight	186g (0.41 lb)

* The latest product information / specification can be found at hanwha-security.com
* Design and specifications are subject to change without notice.